



Model Number:  
**SW-SPDTKX-1612**

RF Components

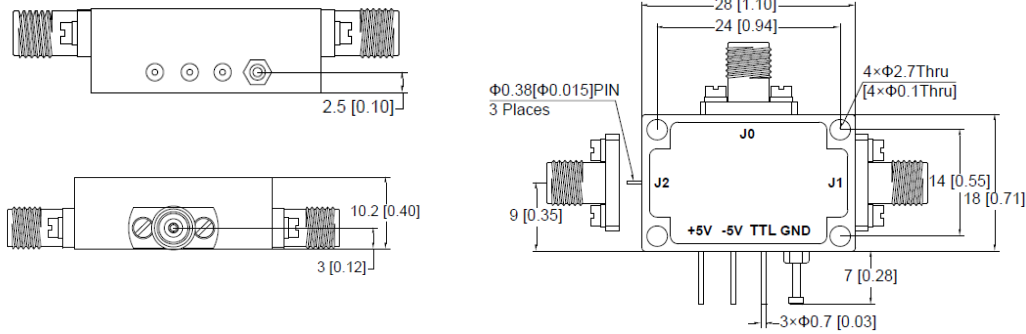
# PIN Diode Absorptive Switch

13.75 - 14.5 GHz

- Single pole double throw PIN diode absorptive switch
- TTL control
- High Isolation
- Low insertion loss

Available with RF connector options:

- 50 Ω SMA



Dimensions in mm

# Switch

RF Parameters		
<b>SW-SPDTKX-1612</b>		S5S5
Frequency Range (GHz)		13.75 - 14.5
RF Connectors		50Ω SMA
Insertion Loss (dB)	Max	2.6
Switching Speed (ns)	Max	100
VSWR	Max	1.8.1
Isolation (dB)	Min	60

TA = +25° C  
Switching speed is defined as 50% TTL to 90% RF (t-on) and 50% TTL to 10% RF (t-off).

Environmental	
Operating Temperature	-45°C to +85°C
Storage Temperature	-55°C to +125°C
Vibration	25g rms (15 degree 2KHz)
Humidity	Max 100% RH at 35°C, 95% RH at 40°C
Shock	20G for 11msc

Absolute Maximum Ratings	
Biasing	+5 V, -5V
DC Bias:	Max +5 V +/-0.5 V @ 80 mA -5 V +/-0.5 V @ 40 mA
TTL Control Voltage	+5V/0V
Input RF power	+30dBm

Truth Table	
Control Input TTL	Signal Path State
E1	
0	J0-J1
1	J0-J2

## Broadcast



## Marine Oil & Gas



## SNG & VSAT



## Satellite Teleport

